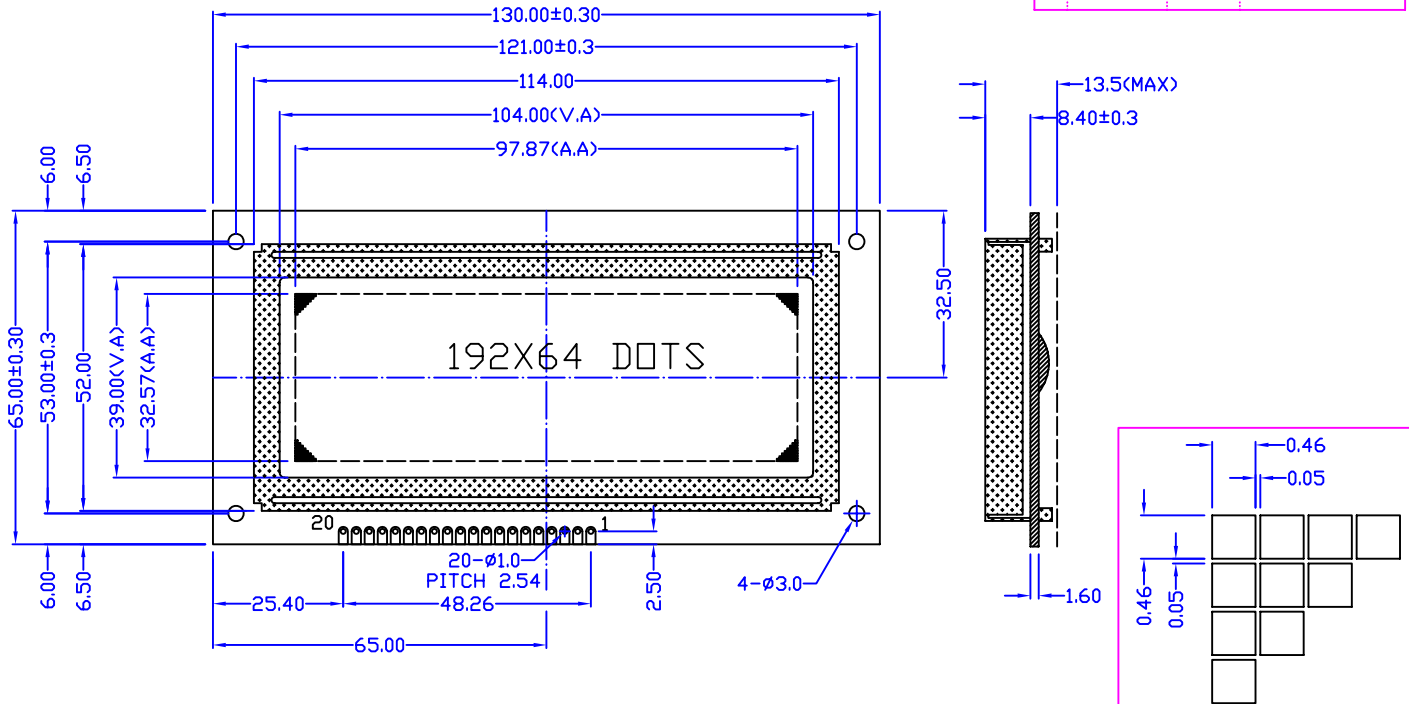
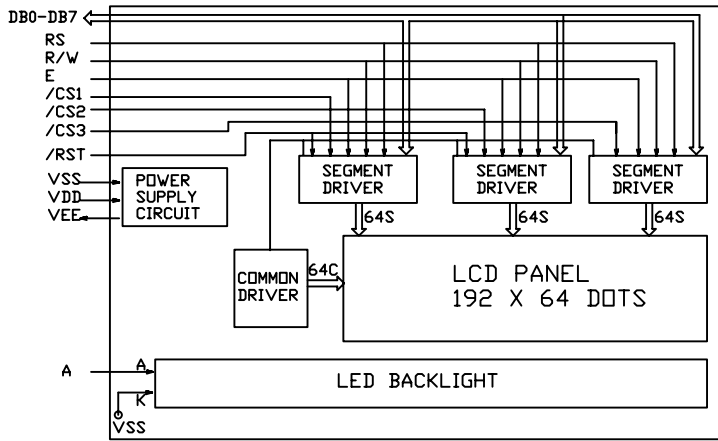


Outline Dimension

REVISIONS			
NO.	DATE	BY	DESCRIPTION
1	08/06/12	ZOLEN	NEW RELEASE



Block Diagram



Feature

1. BUILT IN CONTROLLER: KS0107B OR EQUIVALENT
2. POWER SUPPLY: 5.0V AND 3.0V AVAILABLE
3. LCD TYPE: Y/G STN
4. BACKLIGHT: BOTTOM LED BACKLIGHT
5. COLOUR OF BACKLIGHT: Y/G
6. 1/64 DUTY CYCLE, 1/9 BIAS
7. VIEWING ANGLE: 6 O'CLOCK
8. TEMPERATURE RANGE: NORMAL(0--50)EXTENDED
9. LOW CONSUMPTION, LOW VOLTAGE, HIGH CONTRAST

Mechanical Data

ITEM	SPECIFICATION	UNIT
OVERALL SIZE	130.0W x 65.0H x 14.0T	MM
VIEWING AREA	104.0W x 39.0H	MM
DOT NUMBER	192 x 64	DOTS
DOT SIZE	0.46W x 0.46H	MM
DOT PITCH	0.51W x 0.51H	MM

Pin Assignment

NO.	SYMBOL	DESCRIPTION
1	VSS	GROUND
2	VDD	POWER SUPPLY FOR LOGIC AND LCD
3	V0	OPERATING VOLTAGE FOR LCD
4	D/I	DATA/INSTRUCTION SELECT
5	R/W	READ/WRITE SELECT
6	E	ENABLE SELECT
7--14	DB0--DB7	DATA BUS
15	/CS1	CHIP SELECT OF IC1(LOW EFFECTIVE)
16	/RST	RESET SIGNAL(LOW EFFECTIVE)
17	/CS2	CHIP SELECT OF IC2(LOW EFFECTIVE)
18	/CS3	CHIP SELECT OF IC3(LOW EFFECTIVE)
19	VEE	NEGATIVE VOLTAGE INPUT/OUTPUT
20	A	LED BACKLIGHT POWER SUPPLY(+5.0V)

Absolute Maximum Rating

ITEM	SYMBOL	MIN	MAX	UNIT
POWER SUPPLY(LOGIC)	VDD-VSS	0	6.5	V
POWER SUPPLY(LCD DRV.)	VDD-V0	0	18.0	V
INPUT VOLTAGE	VI	VI	VDD	V

Electrical Characteristics

ITEM	SYMBOL	MIN	TYP	MAX	UNIT
VOLTAGE FOR LOGIC	VDD-VSS	4.75	5.0	5.25	V
SUPPLY CURRENT	IDD	-	5.1	9.8	mA
LCD OPERATING VOLTAGE	0C	-	9.2	-	V
	25C	-	9.0	-	V
	40C	-	8.8	-	V
INPUT VOLTAGE	H	0.7VDD	-	VDD	V
	L	0	-	0.3VDD	V

ALL DIMENSIONS ARE IN MM. TOLERANCE IS +/-0.2 UNLESS OTHERWISE NOTED.

JXD19264A

192 X 64 DOTS GRAPHIC LCM

EXPERT IN LCD

