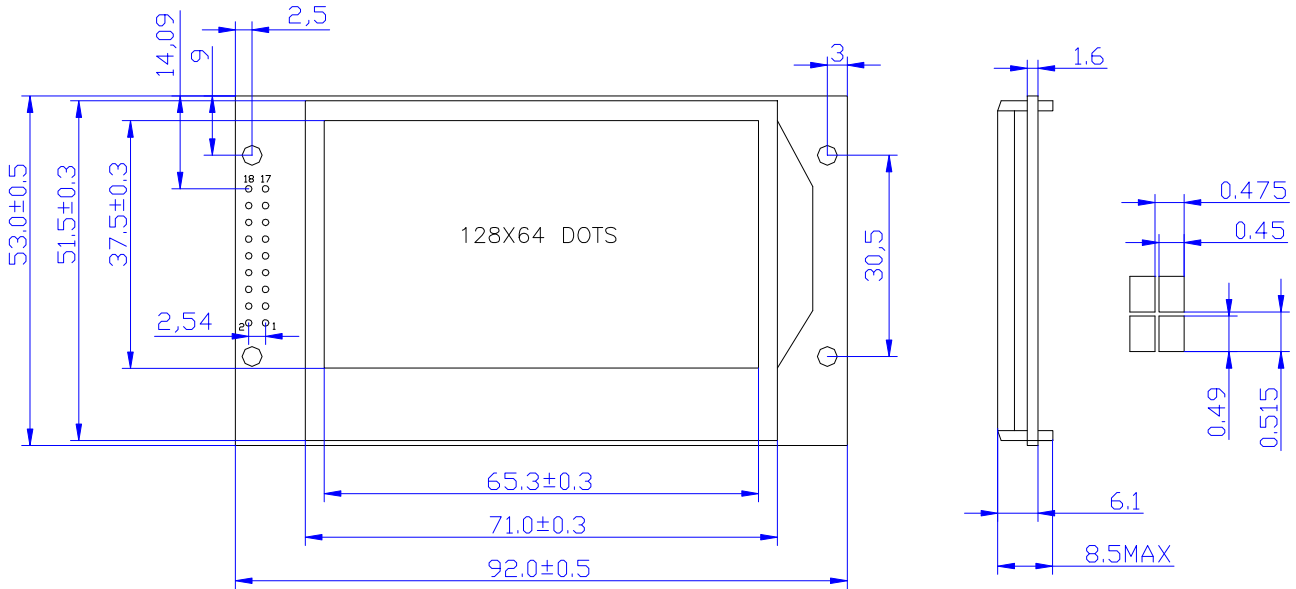


JXD12864A-COG

① PHYSICAL DIMENSION



② MECHANICAL SPECIFICATIONS

Item	Nominal Dimensions(mm)
Module Size(W×H×T)	92.0×53.0×8.5
Viewing Area(W×H)	65.3×37.5
Dot Pitch(W×H)	0.475×0.515
Dot Size(W×H)	0.45×0.49

④ FEATURE

LCD Type & Colour	STN:Yellow-Green,Blue,FSTN
View Angle	6 O'clock
Display Type	Positive Type,Negative Type
Control IC & Package	ST7565P or EQV,COG
Operating Temperature	-20℃ ~ 70℃
Storage Temperature	-30℃ ~ 80℃

③ PIN CONNECTIONS

Pin	Symbol	Function
1	/CS1	Chip Selection For U1
3	/RST	Reset Signal (Active LOW)
5	A0	H: Data; L: Instruction Code
7	SCL	Serial Clock
9	SDA	Data Input
11	VDD	Power supply for Logic(+3V)
13	VSS	GND
15	K	GND for LED
17	A	Power Supply For LED
2,4,6,8,10,12,14,16,18		NO CONNECT

⑤ ELECTRICAL CHARACTERISTICS

Item	Symbol	Test Condition	Typ.	Unit
Operating Voltage	Vdd	Ta=25℃	3.0	V
Supply Current	Idd	Ta=25℃ , Vdd=3.0V	25	mA