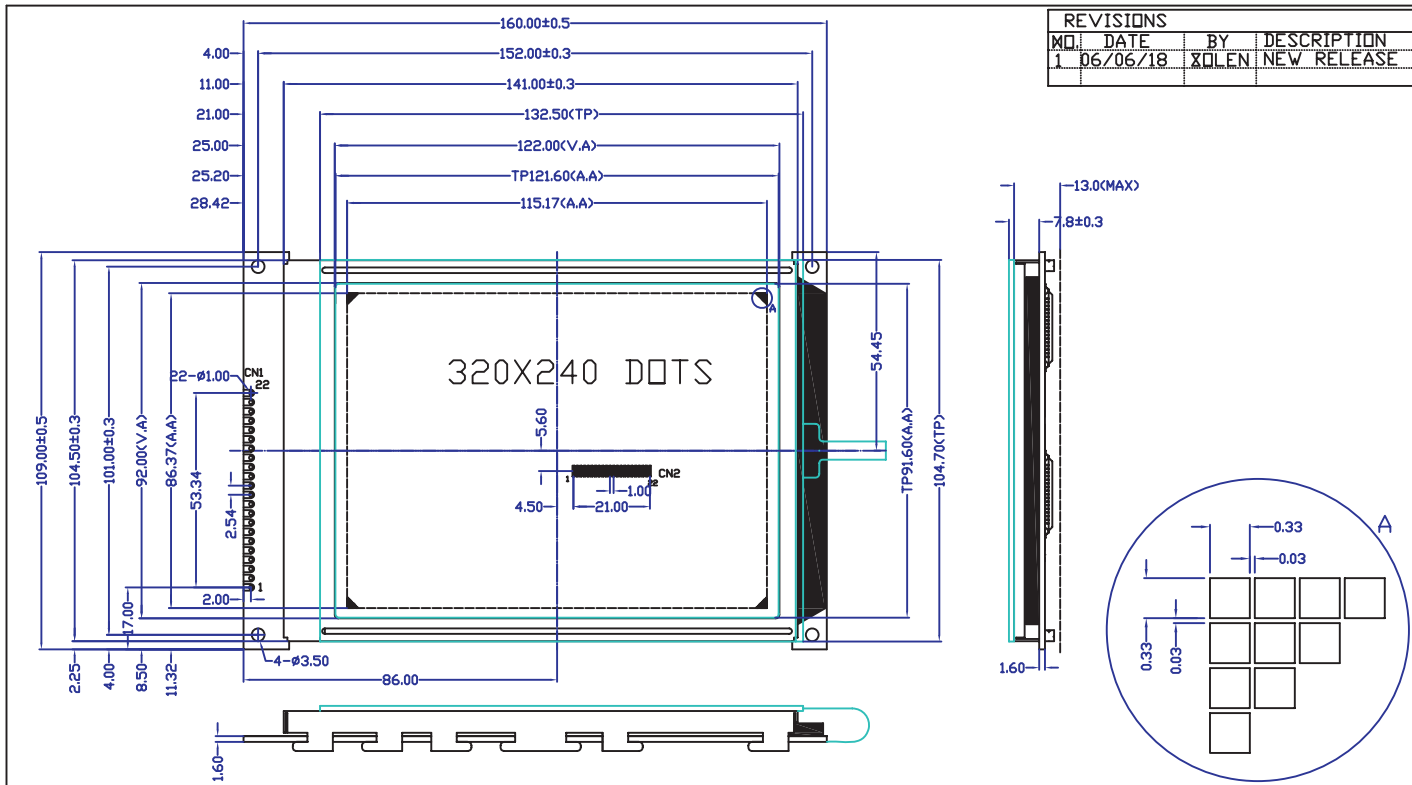


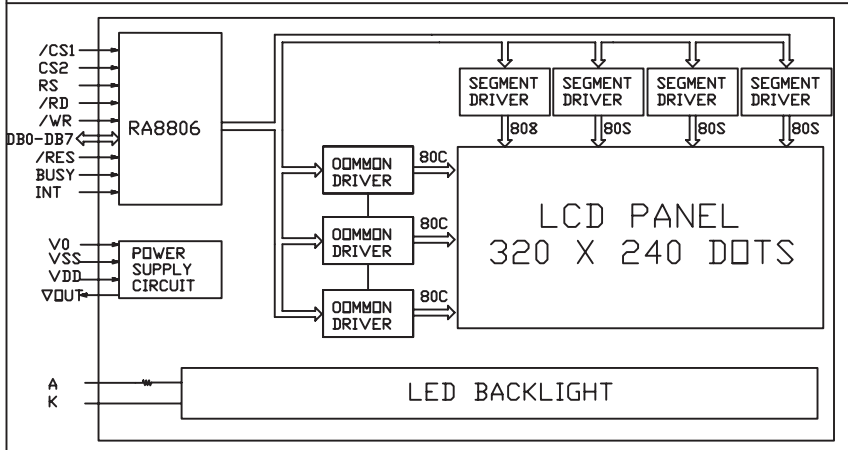
CUSTOMER'S APPROVED:

DATE:



REVISIONS			
NO.	DATE	BY	DESCRIPTION
1	06/06/18	XOLEN	NEW RELEASE

### Block Diagram



### Feature

1. BUILT IN CONTROLLER: RA8806
2. POWER SUPPLY: 5.0V
3. LCD TYPE: BLUE STN, TRANSMISSIVE
4. BACKLIGHT: LED SIDE BACKLIGHT
5. COLOUR OF BACKLIGHT: WHITE
6. 1/240 DUTY CYCLE, 1/16 BIAS
7. VIEWING ANGLE: 6 O'CLOCK
8. TEMPERATURE RANGE: EXTENDED (-20--70)
9. LOW CONSUMPTION, LOW VOLTAGE, HIGH CONTRAST

### Mechanical Data

ITEM	SPECIFICATION	UNIT
OVERALL SIZE	160.0W x 109.0H x 13.0T	MM
VIEWING AREA	122.0W x 92.0H	MM
DOT NUMBER	320 x 240	DOTS
DOT SIZE	0.33W x 0.33H	MM
DOT PITCH	0.36W x 0.36H	MM

### Pin Assignment

NO.	SYMBOL	DESCRIPTION
1	VSS	GROUND
2	VDD	POWER SUPPLY FOR LOGIC AND LCD
3	VR	OPERATION VOLTAGE FOR LCD
4	RS	COMMAND/DATA SELECT
5	/WR	WRITE SIGNAL
6	/RD	READ SIGNAL
7	/CS1	CHIP SELECTION (LOW EFFECTIVE)
8	CS2	CHIP SELECTION (HIGH EFFECTIVE)
9	BUSY	RA8806 BUSY SIGNAL
10	INT	RA8806 INTERRUPT SIGNAL
11	/RST	RESET SIGNAL (LOW EFFECTIVE)
12--19	DB0--DB7	DATA BUS
20	VEE	NEGATIVE VOLTAGE INPUT/OUTPUT
21	LEDA	LED BACKLIGHT POWER SUPPLY (+) (5.0V)
22	LEDK	LED BACKLIGHT POWER SUPPLY (-) (0V)

### Absolute Maximum Rating

ITEM	SYMBOL	MIN	MAX	UNIT
POWER SUPPLY (LOGIC)	VDD-VSS	0	6.5	V
POWER SUPPLY (LCD DRV.)	VDD-V0	0	30.0	V
INPUT VOLTAGE	Vi	Vi	VDD	V

### Electrical Characteristics

ITEM	SYMBOL	MIN	TYP	MAX	UNIT
VOLTAGE FOR LOGIC	VDD-VSS	4.75	5.0	5.25	V
SUPPLY CURRENT	IDD	-	12.0	-	mA
LCD OPERATING VOLTAGE	VDD-V0	0C	-	24.2	V
		25C	-	23.0	V
		40C	-	22.4	V
INPUT VOLTAGE	H	0.7VDD	-	VDD	V
	L	0	-	0.3VDD	V

DESCRIPTION: C/D	深圳市佳显电子技术有限公司	TEL: 86-755-29769896
GENERAL TOL: ±0.2	www.goodview-lcd.com	FAX: 86-755-29769896-802
DD MDT SCALE THIS DRAWING.	Unit:mm	Drw wxy
		Chk
		Apv

JXD320240AF-TP